

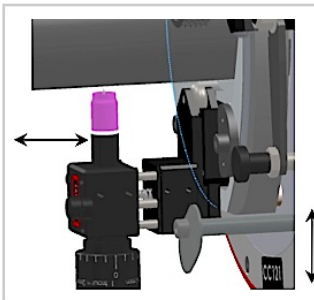
ø140 - ø330 mm  
ø5,5 to ø12,75"



## Technical Specifications

- Basic **stainless steel** jaws Ø 8,5" to 12,75" (Ø 216 to Ø 323 mm )
- Included stainless steel auxiliary jaws Ø 5,5" to 10" ( Ø 140 to Ø 256 mm )
- **Electric rotation autoline 110 V - 230V**
- Wide diameter range
- **Air-cooled**: max. current 100 A at 100%
- **Water-cooled**: max. current 200 A at 100%
- **Scalability**: may be transformed into a cutting and orbital welding machine

Weight: 81 kg



Axial adjustment for precise positioning



Radial adjustment for precise positioning



Driven by AXXAIR power source ( cf compatibility table )



Mechanical profile guide: constant arc voltage

References	Accessories	Consumables
SP321-E	CCPS21: support feet	
	FS29 /FS25: 220 V FS19 / FS15: 110 V	
	MS18B-2 : 1800W / 220V MS18B-1 : 1800W /110 V	SCE16-50 Ø 1,6 mm
	GA10-2-xxx: 220 V GA10-1-xxx: 110 V	SCE24-50 Ø 2,4 mm
	GA15S-220 : 220 V GA15S-110 : 110 V	
	CCSER1/CCSER2: simple/bearing stand	

